



Outstanding machining performance and durability

Features

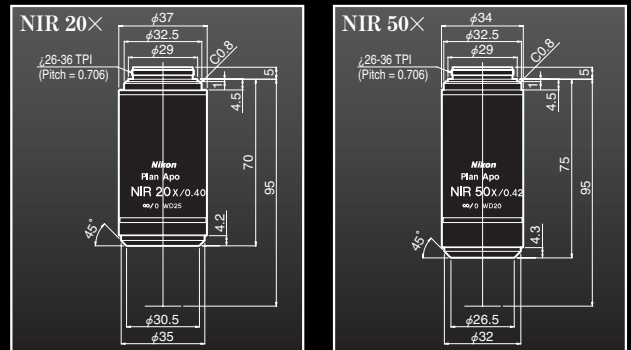
- Achieves high transmission of 90% or more at visible range and 1,064 nm. Significantly improved machining accuracy at a small size with low power.
- Deterioration of the lens due to laser absorption is minimized, achieving an objective lens with outstanding durability.
- Optimized wavelength at visible range and 1,064 nm ensures a clear observation image.
- The long working distance reduces flying material sticking to the lens during laser processing. In addition, the degree of freedom in layout when combining equipment is improved.

Specifications

Product name	LR Plan Apo NIR 20x	LR Plan Apo NIR 50x
NA (numerical aperture)	0.40	0.42
Working distance (mm)	25	20
Focal length (mm)	10	4
Resolving power (μm)*	0.68	0.65
Focal depth (μm)*	± 1.71	± 1.55
Actual field of view (mm ϕ , field number 24)	1.2	0.48
Weight (g)	340	330
Parfocal Distance (mm)	95	

* Resolving power and focal depth are calculated with a reference wavelength of 546 nm.

Dimensions



NIR20x

Near-infrared objective lens

NIR50x

Specifications and equipment are subject to change without any notice or obligation on the part of the manufacturer. December 2008 ©2006/2007/2008 NIKON CORPORATION

The products detailed in the brochure are controlled by the Japanese Foreign Exchange and Foreign Trade Law and the International Export Control Regime. If there is a possibility that they may be utilized for the development of weapons of mass destruction, etc., they shall not be exported without authorization from the government.



WARNING

TO ENSURE CORRECT USAGE, READ THE CORRESPONDING MANUALS CAREFULLY BEFORE USING THE EQUIPMENT.



NIKON CORPORATION

6-3, Nishihoi 1-chome, Shinagawa-ku,
Tokyo 140-8601, Japan
phone: +81-3-3773-9026 fax: +81-3-3773-9062
<http://www.nikon-instruments.jp/eng/>

NIKON INSTRUMENTS INC.

1300 Walt Whitman Road, Melville, N.Y. 11747-3064, U.S.A.
phone: +1-631-547-8500; +1-800-52-NIKON (within the U.S.A. only)
fax: +1-631-547-0306

<http://www.nikoninstruments.com/>

NIKON INSTRUMENTS EUROPE B.V.

Laan van Kronenburg 2, 1183 AS, Amstelveen, The Netherlands
phone: +31-20-44-96-222 fax: +31-20-44-96-298

<http://www.nikoninstruments.eu/>

NIKON INSTRUMENTS (SHANGHAI) CO., LTD.

CHINA phone: +86-21-5836-0050 fax: +86-21-5836-0030
(Beijing branch) phone: +86-10-5869-2255 fax: +86-10-5869-2277
(Guangzhou branch) phone: +86-20-3882-0552 fax: +86-20-3882-0580

NIKON SINGAPORE PTE LTD.

SINGAPORE phone: +65-6559-3618 fax: +65-6559-3668

NIKON MALAYSIA SDN. BHD.

MALAYSIA phone: +60-3-78763887 fax: +60-3-78763387

NIKON INSTRUMENTS KOREA CO., LTD.

KOREA phone: +82-2-2186-8410 fax: +82-2-555-4415

NIKON CANADA INC.

CANADA phone: +1-905-625-9910 fax: +1-905-625-0103

NIKON FRANCE S.A.S.

FRANCE phone: +33-1-45-16-45-16 fax: +33-1-45-16-00-33

NIKON GMBH

GERMANY phone: +49-211-9414-0 fax: +49-211-9414-322

NIKON INSTRUMENTS S.p.A.

ITALY phone: +39-55-3009601 fax: +39-55-300993

NIKON AG

SWITZERLAND phone: +41-43-277-2860 fax: +41-43-277-2861



ISO 9001 Certified
NIKON CORPORATION
Instruments Company



UKAS
Quality Management
008



ISO 14001 Certified
NIKON CORPORATION
Yokohama Plant

NIKON UK LTD.

UNITED KINGDOM phone: +44-20-8541-4440 fax: +44-20-8541-4584

NIKON GMBH AUSTRIA

AUSTRIA phone: +43-1-972-6111-00 fax: +43-1-972-6111-40

NIKON BELUX

BELGIUM phone: +32-2-705-56-65 fax: +32-2-726-66-45

Официальный дистрибьютор Nikon
в России и странах СНГ

TOMAS TOKYO BOEKI GROUP

Россия, 127055, г. Москва, ул. Новолесная, д. 2

тел: +7 (495) 223-40-00 факс: +7 (495) 223-40-01

<http://www.tokyo-boeki.ru> email: systems@tokyo-boeki.ru